

All Teflon Filter Cartridge



Description

MICROMEDIA ALL PTFE filter cartridges, utilizing expanded PTFE Membranes and ECTFE core & cage, will meet the most critical filtration requirement in the most aggressive environments. The advantage is that the Halar PTFE remains robust and durable in highly corrosive acids, bases, and organic compounds.

Features & Benefits

- All fluoropolymer construction
- Excellent chemical compatibility
- High temperature and pressure Capabilities
- Very high flow rates
- Low differential pressure
- Low extractables
- High particle removal efficiency
- Manufactured in a cleanroom environment
- 100% integrity tested

Applications

- Specially Chemicals
- Solvents
- Mixed acids
- Photographic
- Oxide Waste

Materials of Construction

- Filter Medium: PTFE
- Support Layer: Halar[ECTFE]
- Core/Cage/End Caps: Halar[ECTFE]
- O-Rings: PFA encapsuled Viton

Pore sizes

0.05, 0.1, 0.22, 0.45, 1.0 5.0 μ m

Maximum Operating conditions

- Maximum Temperature: 320°F (160°C)
- Maximum Pressure:
80psi(5.5bar)/77°F(25°C)
30psi(2.1bar)/284°F(140°C)

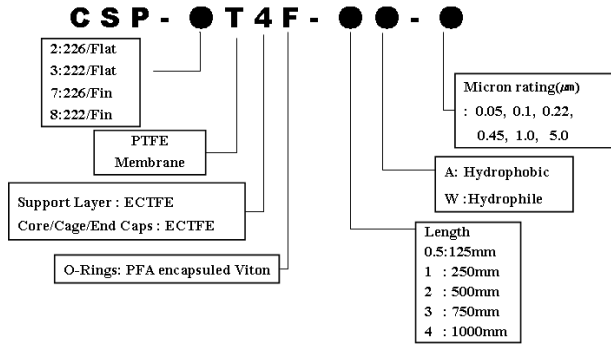
Dimensions

- Nominal Length : 10, 20, 30, 40inch
- Outer Diameter : 68mm

Effective Filtration Area

- 0.65M2 (7.0ft2) per 10 inch

Ordering informations



Pressure Drop and Flow Rate

